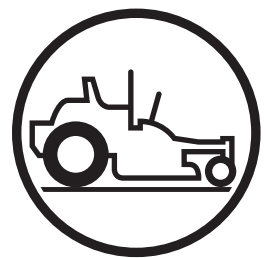


## Parts Manual

EZ4624 / 968999657, EZ5226 / 968999658  
EZ4220/ 968999692, EZ4822 / 968999293  
EZ5224 / 968999699, EZ4824C / 968999754  
EZ4824 / 968999696  
EZ5224 BF / 968999766

Please read the operator's manual carefully and make sure you understand the instructions before using the machine.



**English**



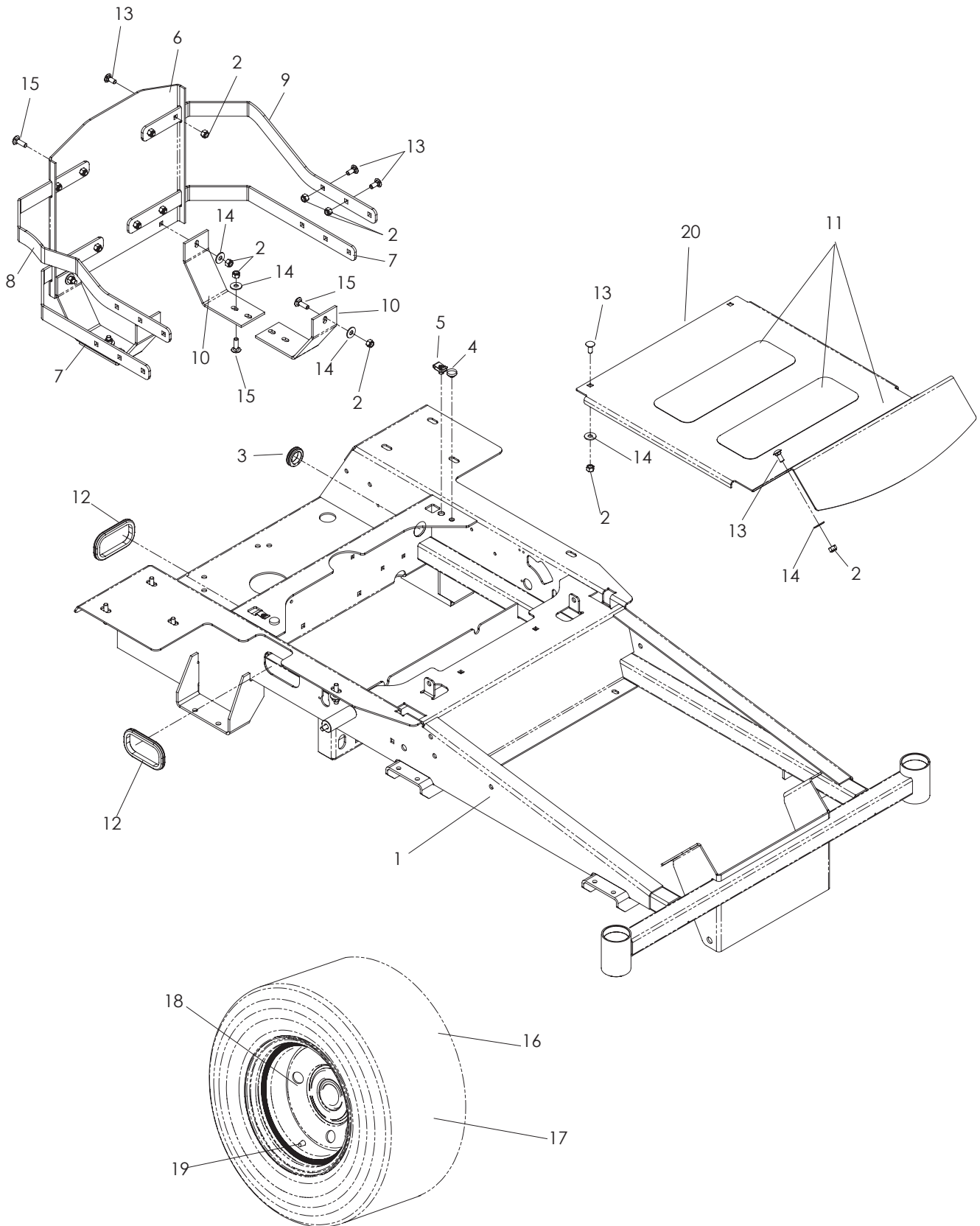
# CONTENTS

---

CHASSIS / FRAME .....	4	42 INCH CUTTING DECK .....	22
ENGINE		46 INCH CUTTING DECK .....	24
BRIGGS & STRATTON - 26 HP .....	8	48 INCH CUTTING DECK.....	26
BRIGGS & STRATTON - 24 HP .....	10	52 INCH CUTTING DECK.....	28
KOHLER .....	12	CONTROLS.....	30
STEERING .....	14	SEAT .....	32
PARKING BRAKE .....	16	CASTERS.....	34
HYDRAULIC PUMP - MOTOR.....	18	DECALS .....	36
MOWER LIFT / DECK LIFT.....	20	SCHEMATIC.....	40

**NOTE:** ALL FASTENERS ARE GRADE 5 UNLESS OTHERWISE SPECIFIED.

# CHASSIS / FRAME

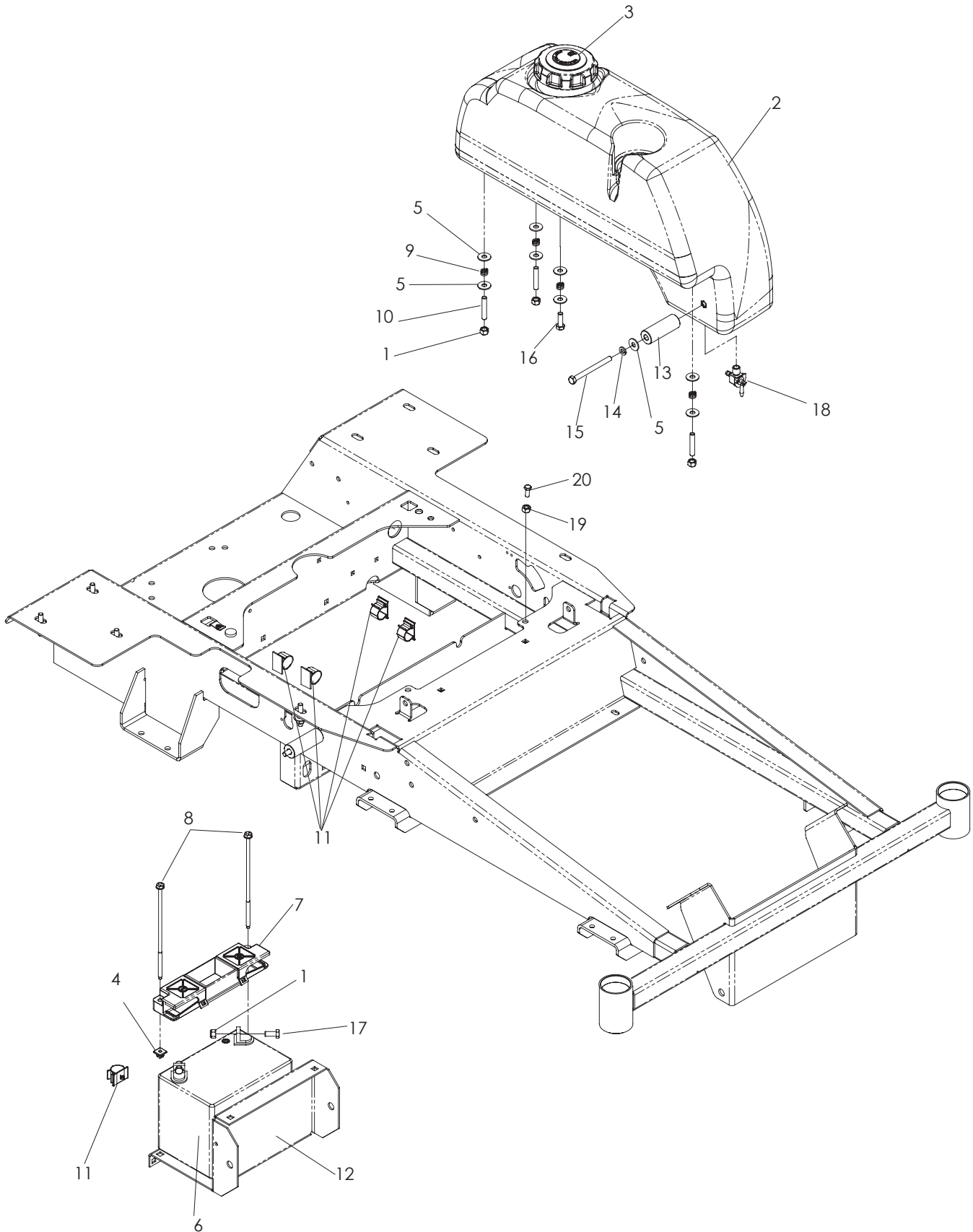


# CHASSIS / FRAME

---

ITEM	PART NO.	QTY.	DESCRIPTION	ITEM	PART NO.	QTY.	DESCRIPTION
1..	965 885601....	1	.... MAIN FRAME W/DECALS	16..	539 130820....	2	.... TIRE & RIM before serial # 0749xxxxx
2..	539 990717..	16	.... NUT <sup>5</sup> / <sub>16</sub> -18 NYLOC	539 112212....	2	.... TIRE & RIM MODEL 968999692 ONLY	
3..	539 105974....	1	.... RUBBER GROMMET	539 131996 ...	2	.... TIRE & RIM, after serial # 0749xxxxx MODELS 968999658, 968999696, 968999699, 968999754, 968999766	
4..	539 102587....	2	.... GROMMET, BUMPER	539 131110....	2	.... TIRE & RIM, after serial # 0805xxxxx MODEL 968999657 ONLY	
5..	539 104763....	2	.... NUT <sup>5</sup> / <sub>16</sub> -18 RETAINER	17..	539 130822....	1	.... TIRE
6..	539 106959....	1	.... ENGINE GUARD	539 112213....	1	.... TIRE, MODEL 968999692 ONLY	
7..	539 112780....	2	.... LOWER GUARD	539 131997 ...	1	.... TIRE 20 x 10 TURF after serial # 0749xxxxx MODELS 968999658, 968999696, 968999699, 968999754, 968999766	
8..	539 112781....	1	.... UPPER RT HAND GUARD	539 131109....	1	.... TIRE 20 x 8 TURF after serial # 0805xxxxx MODEL 968999657 ONLY	
9..	539 112782....	1	.... UPPER LT HAND GUARD	18..	539 112217....	1	.... RIM before serial # 0749xxxxx
10..	539 112783....	4	.... SKID PLATE	539 112214....	1	.... RIM MODEL 968999692 ONLY	
11..	539 977778....	3	.... PAD, ABRASIVE	19..	539 912234....	1	.... VALVE STEM
12..	539 107116....	1	.... GROMMET	20..	539 112228....	1	.... FLOOR PAN
13..	539 990316..	20	.... RHSNB <sup>5</sup> / <sub>16</sub> -18 x <sup>3</sup> / <sub>4</sub>				
14..	539 990692..	10	.... WASHER <sup>5</sup> / <sub>16</sub>				
15..	539 990208....	6	.... RHSNB <sup>5</sup> / <sub>16</sub> -18 x 1				

# CHASSIS / FRAME



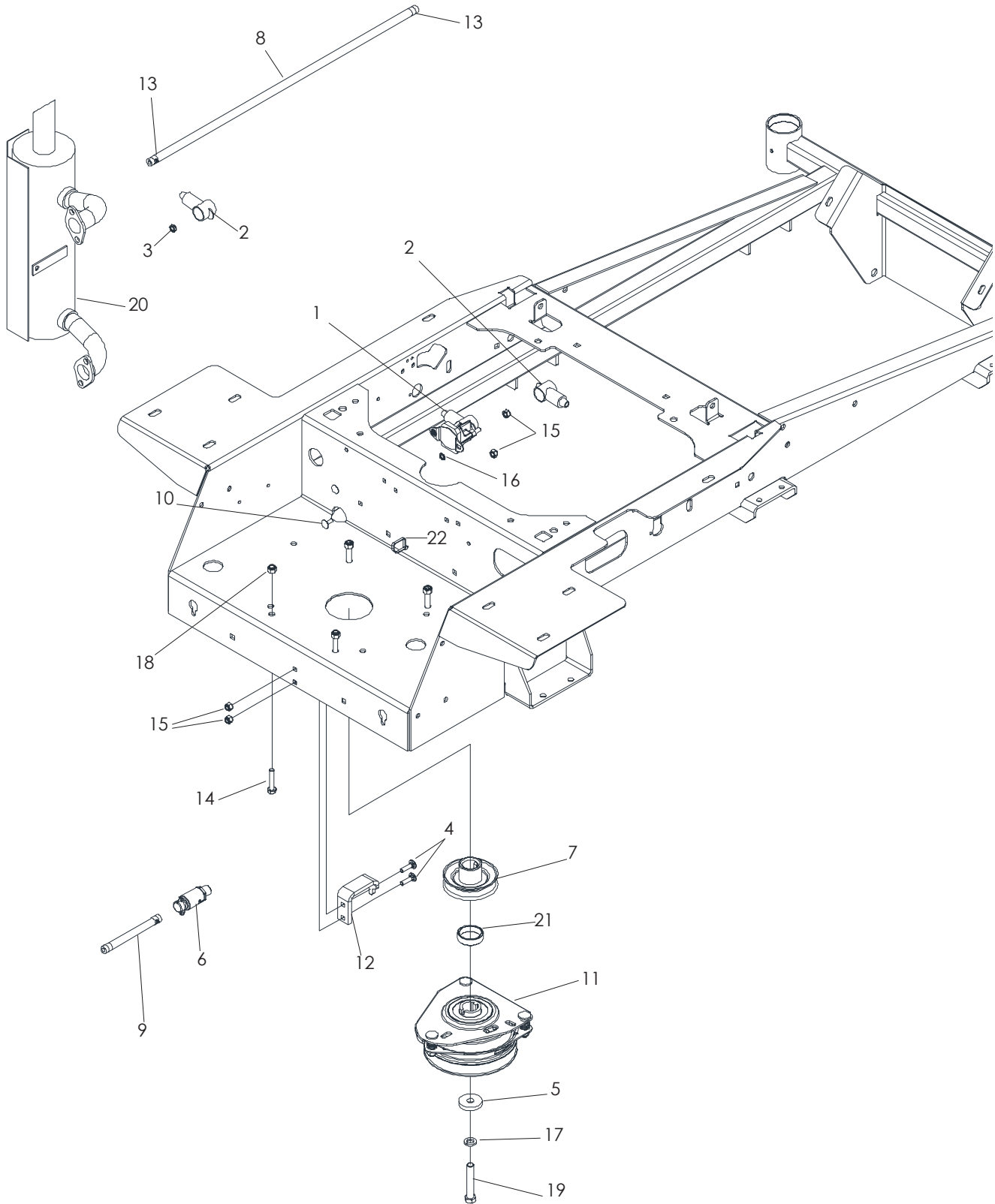
# CHASSIS / FRAME

---

ITEM	PART NO.	QTY.	DESCRIPTION	ITEM	PART NO.	QTY.	DESCRIPTION
1..	539 990717....	2	NUT $\frac{5}{16}$ -18 NYLOC	13..	539 112446....	2	TANK SPACER
2..	539 104409....	1	FUEL TANK, LEFT	14..	539 990187....	2	LOCKWASHER $\frac{5}{16}$
3..	539 106188....	1	FUEL CAP	15..	539 107270....	2	HCS $\frac{5}{16}$ -18 x $3\frac{1}{2}$
4..	539 107629....	2	PUSH NUT NYLON	16..	539 990209....	2	HCS $\frac{5}{16}$ -18 x 1
5..	539 990692..	18	WASHER $\frac{5}{16}$	17..	539 976934....	2	HCS $\frac{5}{16}$ -18 x $\frac{3}{4}$
6..	539 102436....	1	BATTERY, DRY	18..	539 916325....	1	FUEL VALVE
7..	539 107628....	1	BATTERY HOLD DOWN	19..	539 990196....	2	NUT $\frac{5}{16}$ -18
8..	539 107632....	2	BOLT $\frac{1}{4}$ x $7\frac{1}{2}$ SPEC.	20..	539 108394....	2	HCS $\frac{5}{16}$ -18 x $1\frac{3}{4}$ TPBLT
9..	539 102845....	8	SPRING, TANK MOUNT				NOT SHOWN
10..	539 102502....	6	TANK STUD, FUEL, $\frac{5}{16}$ C		539 113793....	1	WIRE HARNESS
11..	539 110815....	5	PUSH MOUNT, WIRE CLIP		539 110068....	1	BATTERY CABLE, NEG
12..	539 112408....	1	BATTERY TRAY				

# ENGINE

BRIGGS & STRATTON - 26 HP



TORQUE TO 50 FT./LBS.



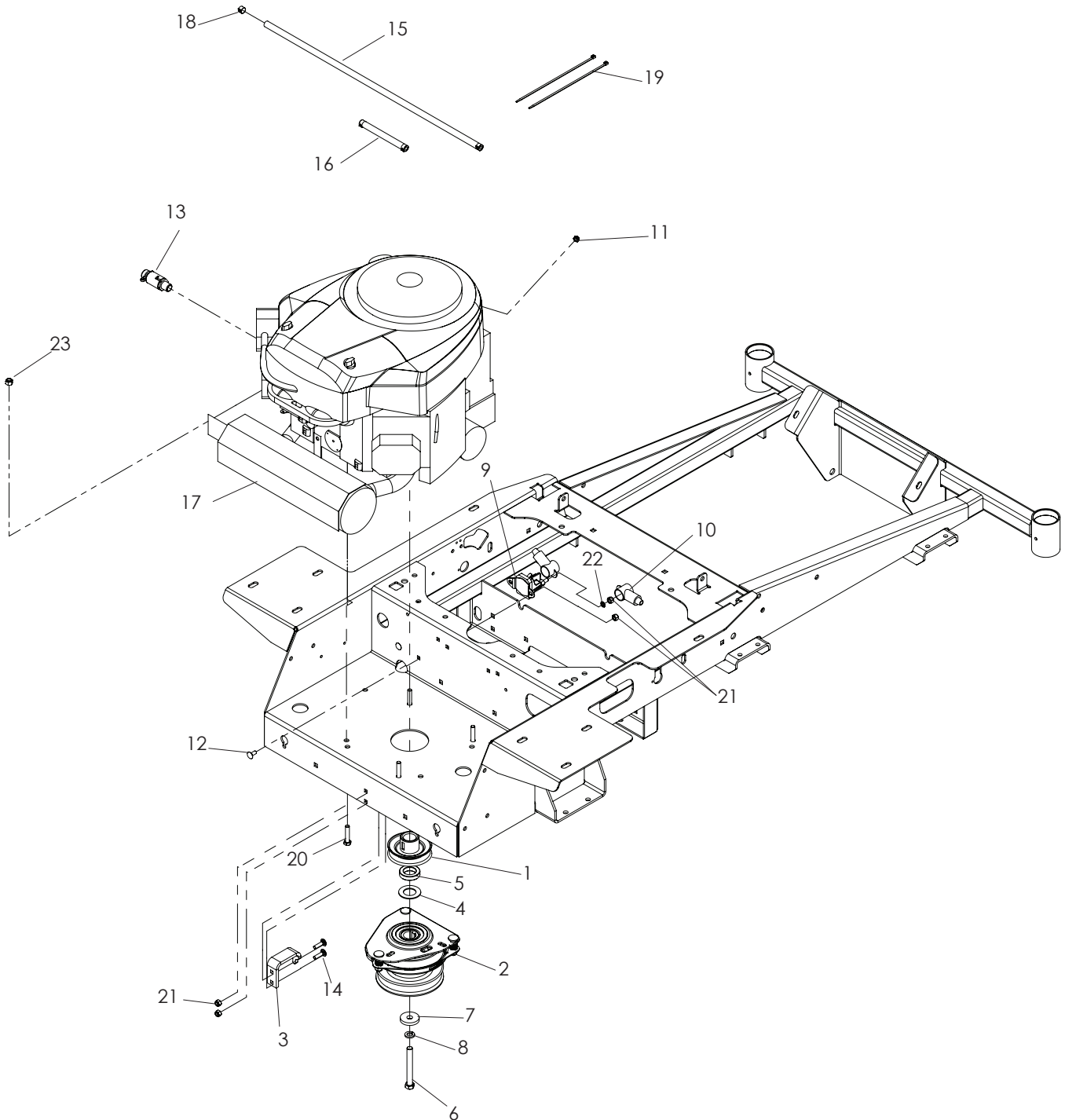
# ENGINE

---

ITEM	PART NO.	QTY.	DESCRIPTION	ITEM	PART NO.	QTY.	DESCRIPTION
1..	539 101714....	1	.... SOLENOID	14..	539 976935....	4	.... HCS $\frac{5}{16}$ -18 x 1 $\frac{1}{2}$
2..	539 102759....	3	.... INSULATOR, BATTERY	15..	539 976978....	6	.... NUT $\frac{1}{4}$ -20 NYLOC
3..	539 108120....	1	.... NUT $\frac{1}{4}$ -20 THIN NYLOC	16..	539 990053....	2	.... WASHER $\frac{1}{4}$
4..	539 109800....	2	.... RHSNB $\frac{1}{4}$ -20 x 1	17..	539 990247....	1	.... WASHER $\frac{7}{16}$
5..	539 110064....	1	.... CLUTCH WASHER	18..	539 990717....	4	.... NUT $\frac{5}{16}$ -18 NYLOC
6..	539 110093....	1	.... OIL DRAIN FITTING	19..	539 991120....	1	.... HCS $\frac{7}{16}$ -20 x 2 $\frac{1}{2}$
7..	539 114530....	1	.... PULLEY	20..	539 121325....	1	.... MUFFLER
8..	539 110424....	1	.... FUEL LINE 24"	21..	539 114541....	1	.... SPACER, ENGINE, PULLEY
9..	539 110425....	1	.... FUEL LINE 5"	22..	539 976856....	1	.... WIRE TIE
10..	539 111786....	2	.... RHSSNB $\frac{1}{4}$ -20 x $\frac{5}{8}$		NOT SHOWN		
11..	532 400008....	1	.... CLUTCH		539 103306....	2	.... CABLE, POSITIVE, LONG
12..	539 112249....	1	.... CLUTCH TIE DOWN		539 107516....	1	.... PIGTAIL
13..	539 912222....	4	.... CLAMP, HOSE				

# ENGINE

BRIGGS & STRATTON - 24 HP



# ENGINE

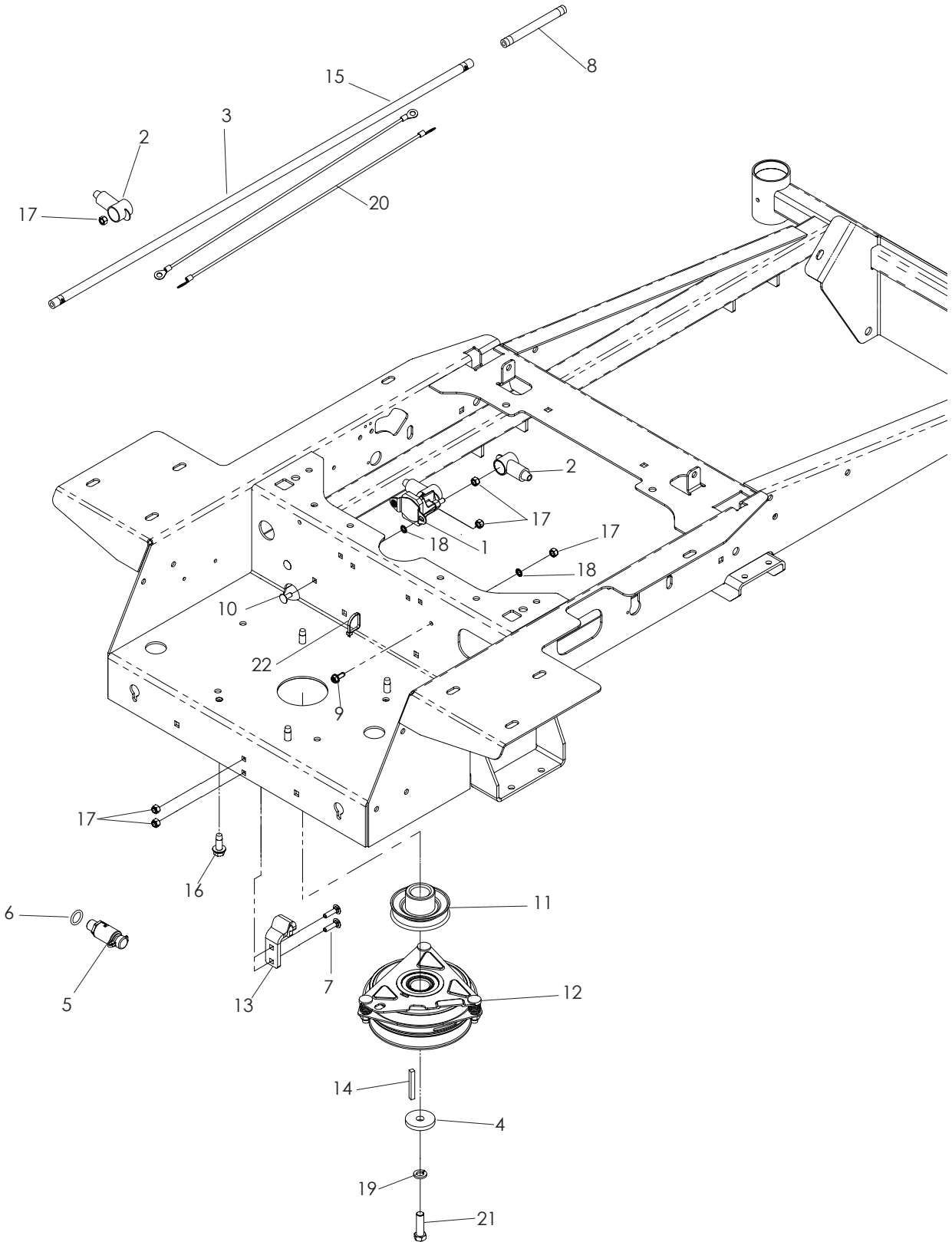
---

ITEM	PART NO.	QTY.	DESCRIPTION
1..	539 114530	....1	.... PULLEY, ENGINE
2..	539 113977	....1	.... CLUTCH
3..	539 112249	....1	.... CLUTCH TIE DOWN
4..	539 113987	....1	.... SPACER
5..	539 114387	....1	.... SPACER
6..	539 976944	....1	.... HCS $\frac{7}{16}$ -14 X $3\frac{1}{2}$
7..	539 110064	....1	.... WASHER CLUTCH
8..	539 990247	....1	.... LOCKWASHER $\frac{7}{16}$
9..	539 101714	....1	.... SOLENOID
10..	539 102759	....3	.... INSULATOR
11..	539 108120	....1	.... NUT $\frac{1}{4}$ -20 THIN NYLOC
12..	539 111786	....2	.... RHSSNB $\frac{1}{4}$ -20 X $\frac{5}{8}$
13..	539 110093	....1	.... PLUG, EZ OIL DRAIN

ITEM	PART NO.	QTY.	DESCRIPTION
14..	539 109800	....2	.... RHSNB $\frac{1}{4}$ -20 X 1
15..	539 110424	....1	.... FUEL LINE, 24"
16..	539 110425	....1	.... FUEL LINE, 5"
17..	539 121325	....1	.... MUFFLER
18..	539 912222	....4	.... HOSE CLAMP
19..	539 976856	....2	.... WIRE TIE
20..	539 976935	....4	.... HCS $\frac{5}{16}$ -18 X $1\frac{1}{2}$
21..	539 976978	....6	.... NUT $\frac{1}{4}$ -20 NYLOC
22..	539 990053	....2	.... WASHER $\frac{1}{4}$ INT TOOTH
23..	539 990717	....4	.... NUT $\frac{5}{16}$ -18 NYLOC
NOT SHOWN:			
	539 103306	....2	.... CABLE, POSITIVE
	539 107516	....1	.... KOHLER PIGTAIL

# ENGINE

KOHLER

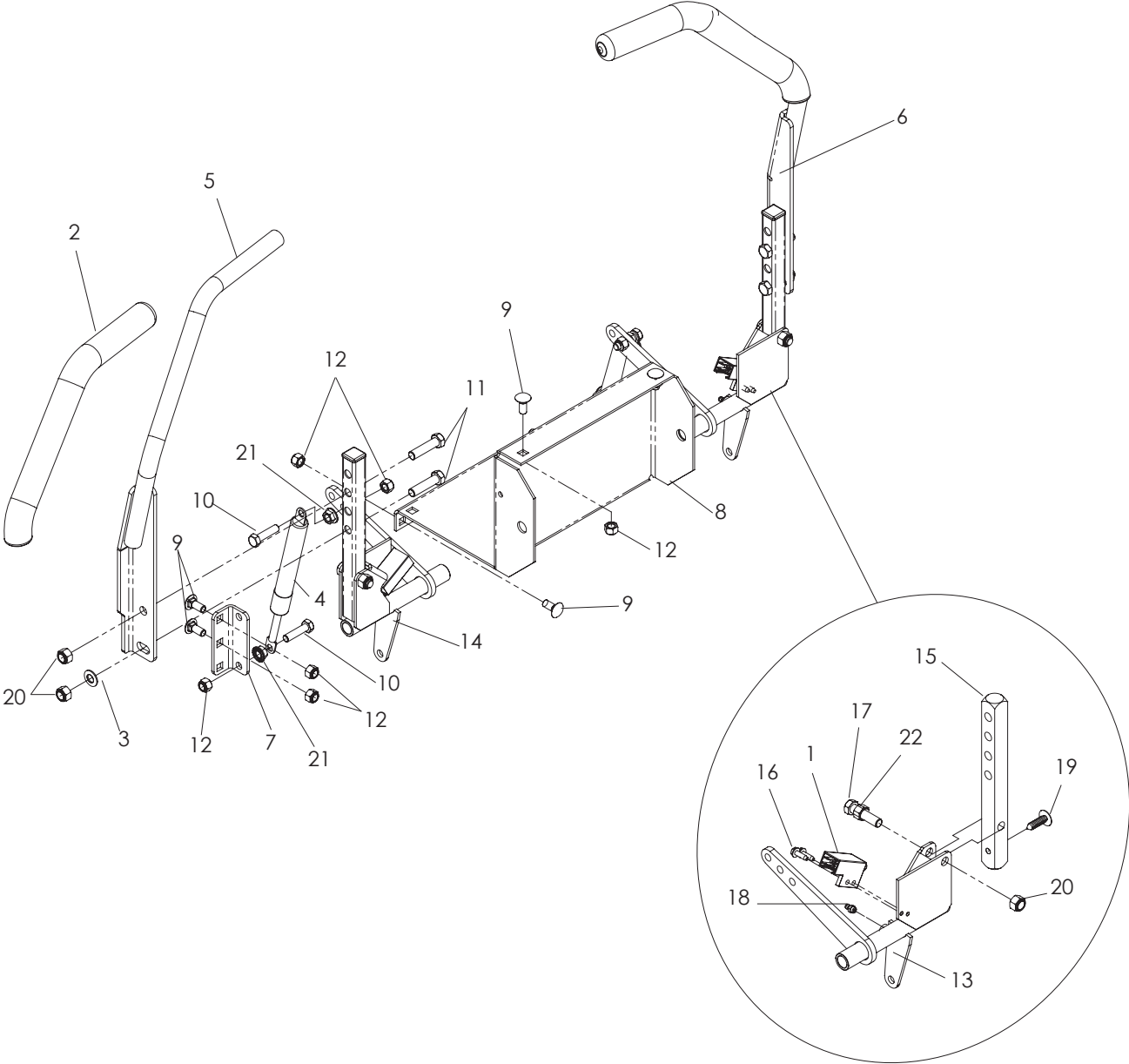


# ENGINE

---

ITEM	PART NO.	QTY.	DESCRIPTION	ITEM	PART NO.	QTY.	DESCRIPTION
1..	539 101714....	1	....SOLENOID	14..	539 910210....	1	....KEY ¼ SQ x 2
2..	539 102759....	3	....INSULATOR, BATTERY	15..	539 912222....	4	....CLAMP, HOSE
3..	539 105280....	1	....FUEL LINE	16..	539 107476....	4	....BOLT ¾-16 x 1 THD FRM
4..	539 106504....	1	....WASHER .469	17..	539 976978....	6	....NUT ¼-20 NYLOC
5..	539 110093....	1	....PLUG EZ OIL DRAIN	18..	539 990053....	2	....WASHER ¼
6..	539 109556....	1	....WASHER 5/16 EXT STAR	19..	539 990247....	1	....WASHER 7/16
7..	539 109800....	2	....RHSNB ¼-20 x 1	20..	539 103306....	2	....CABLE, POSITIVE, LONG
8..	539 110425....	1	....FUEL LINE, 5"	21..	539 100141....	1	....HCS 7/16-20 x 1½
9..	539 107631....	1	....SCREW ¼-20 X 5/8 THDROLL	22..	539 976856....	1	....WIRE TIE
10..	539 111786....	2	....RHSSNB ¼-20 x 5/8				NOT SHOWN
11..	539 113436....	1	....PULLEY, DRIVE		539 107516 ...	1	.... KOHLER PIGTAIL
12..	539 113437....	1	....CLUTCH		539 105896 ...	1	.... MUFFLER
13..	539 113441....	1	....CLUTCH TIE DOWN				

# STEERING

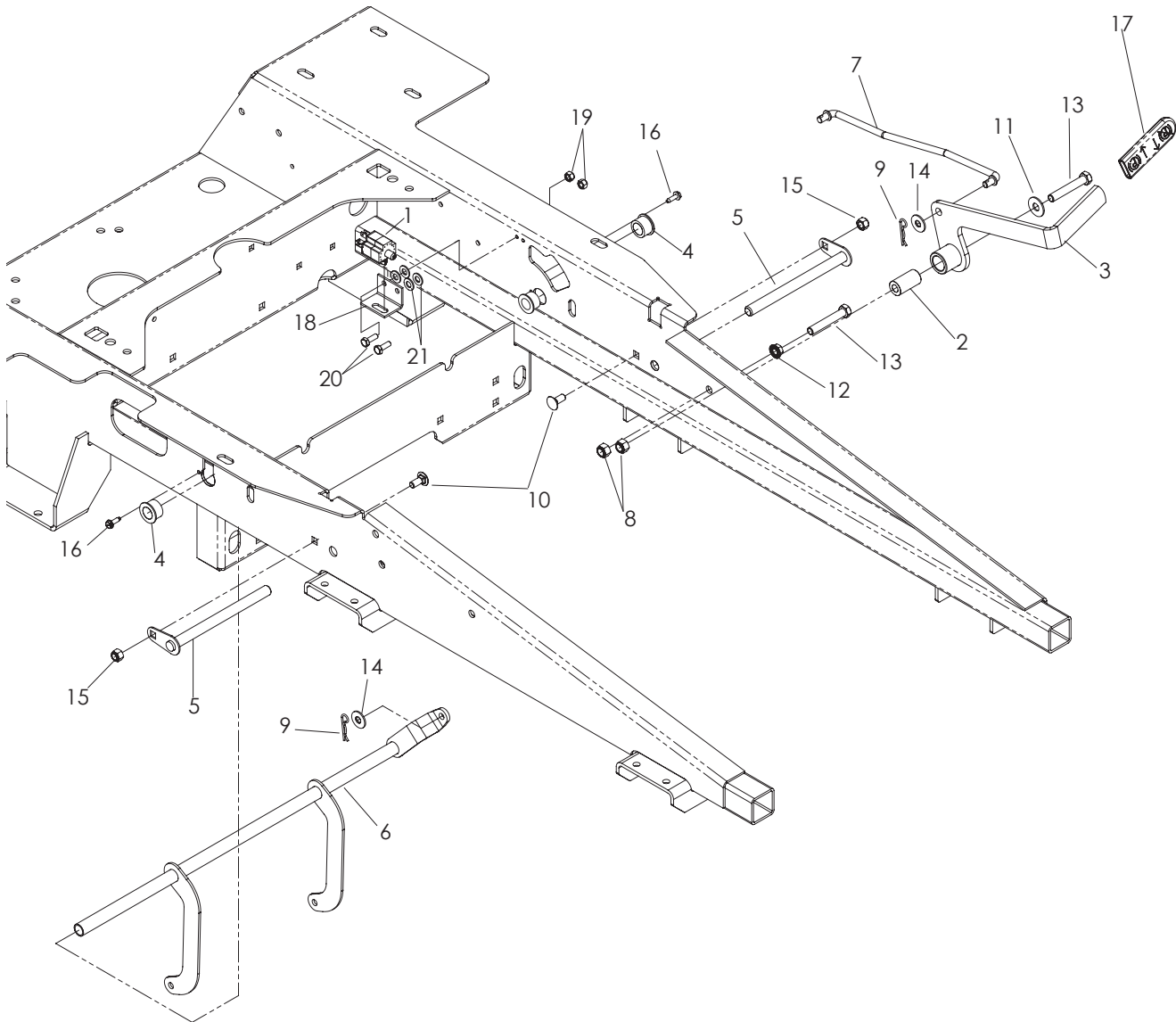


# STEERING

---

ITEM	PART NO.	QTY.	DESCRIPTION	ITEM	PART NO.	QTY.	DESCRIPTION
1..	539 101080....	2	.... SWITCH, INTERLOCK	12..	539 990717..	12	.... NUT <sup>5</sup> / <sub>16</sub> -18 NYLOC
2..	539 102592....	2	.... CUSHION, DRIVE LEVER	13..	539 112096....	1	.... CONTROL , LEFT
3..	539 102593....	2	.... LOCKWASHER <sup>3</sup> / <sub>8</sub> SPEC.	14..	539 112095....	1	.... CONTROL , RIGHT
4..	539 102720....	2	.... DAMPENER	15..	539 112088....	1	.... CONTROL ARM
5..	539 110826....	1	.... DRIVE LEVER, RIGHT	16..	539 991034....	4	.... SCREW 10-24 x <sup>5</sup> / <sub>8</sub> WSH HD
6..	539 110827....	1	.... DRIVE LEVER, LEFT	17..	539 110122....	1	.... HCS <sup>3</sup> / <sub>8</sub> -16 x 2 <sup>1</sup> / <sub>2</sub> TPBLT
7..	539 112300....	2	.... DAMPENER BRACKET	18..	539 976998....	1	.... ZERK
8..	539 112408....	1	.... BATTERY TRAY	19..	539 113107....	1	.... RIVET, NYLON PUSH-IN
9..	539 990316....	8	.... RHSNB <sup>5</sup> / <sub>16</sub> -18 x <sup>3</sup> / <sub>4</sub>	20..	539 976979....	1	.... NUT <sup>3</sup> / <sub>8</sub> -16 NYLOC
10..	539 990627....	4	.... HCS <sup>5</sup> / <sub>16</sub> -18 x 1 <sup>1</sup> / <sub>4</sub>	21..	539 990585....	4	.... NUT <sup>5</sup> / <sub>16</sub> -18 WHIZLK
11..	539 990655....	4	.... HCS <sup>3</sup> / <sub>8</sub> -16 x 1 <sup>1</sup> / <sub>2</sub>	22..	539 990546....	1	.... NUT <sup>3</sup> / <sub>8</sub> -16 CENTERLOCK

# PARKING BRAKE



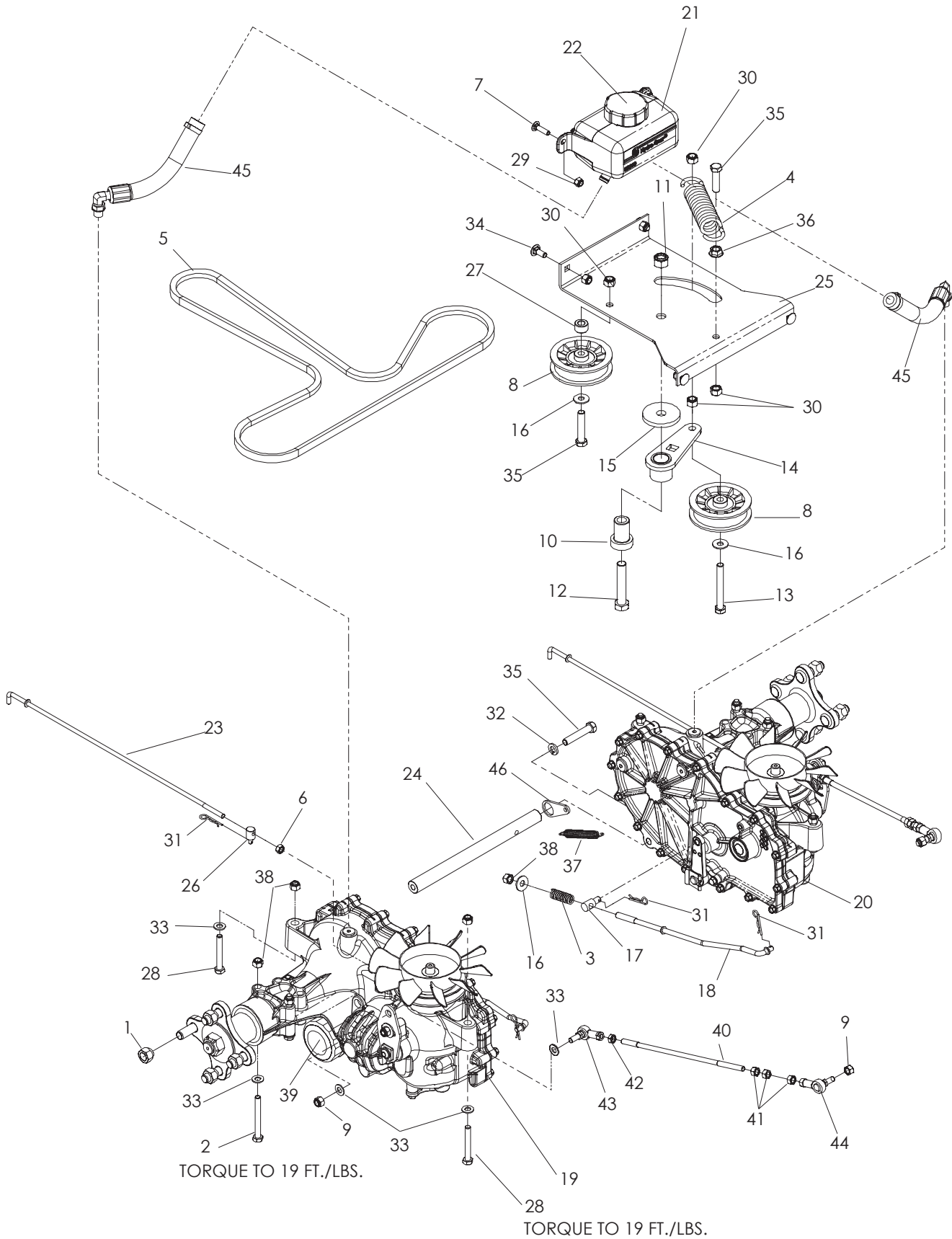


# PARKING BRAKE

---

ITEM	PART NO.	QTY.	DESCRIPTION	ITEM	PART NO.	QTY.	DESCRIPTION
1..	539 113792....	1	.... SWITCH, INTERLOCK	12..	539 990613....	1	.... NUT $\frac{3}{8}$ -16 WHIZLK
2..	539 101836....	1	.... BUSHING	13..	539 990629....	3	.... HCS $\frac{3}{8}$ -16 x $2\frac{1}{4}$
3..	539 109363....	1	.... BRAKE LEVER	14..	539 990692....	3	.... WASHER $\frac{5}{16}$
4..	539 109368....	3	.... BUSHING, PLASTIC	15..	539 990717....	2	.... NUT $\frac{5}{16}$ -18 NYLOC
5..	539 112306....	2	.... PIVOT SHAFT	16..	539 991034....	2	.... SCREW #10-24 x $\frac{5}{8}$ WSH HD
6..	539 112313....	1	.... BRAKE SHAFT	17..	539 109798....	1	.... GRIP, PARK BRAKE
7..	539 112314....	1	.... LINKAGE	18..	539 114803....	1	.... BRACKET, BRAKE SWITCH
8..	539 976979....	4	.... NUT $\frac{3}{8}$ -16 NYLOC	19..	539 976978....	2	.... NUT $\frac{1}{4}$ -20 NYLOC
9..	539 976988....	2	.... PIN, HAIR .073 x $1\frac{7}{16}$	20..	539 990580....	2	.... HCS $\frac{1}{4}$ -20 x $\frac{3}{4}$
10..	539 990316....	2	.... RHSNB $\frac{5}{16}$ -18 x $\frac{3}{4}$	21..	539 990188....	4	.... WASHER $\frac{5}{16}$ SAE
11..	539 990517....	1	.... WASHER $\frac{3}{8}$				

# HYDRAULIC PUMP - MOTOR

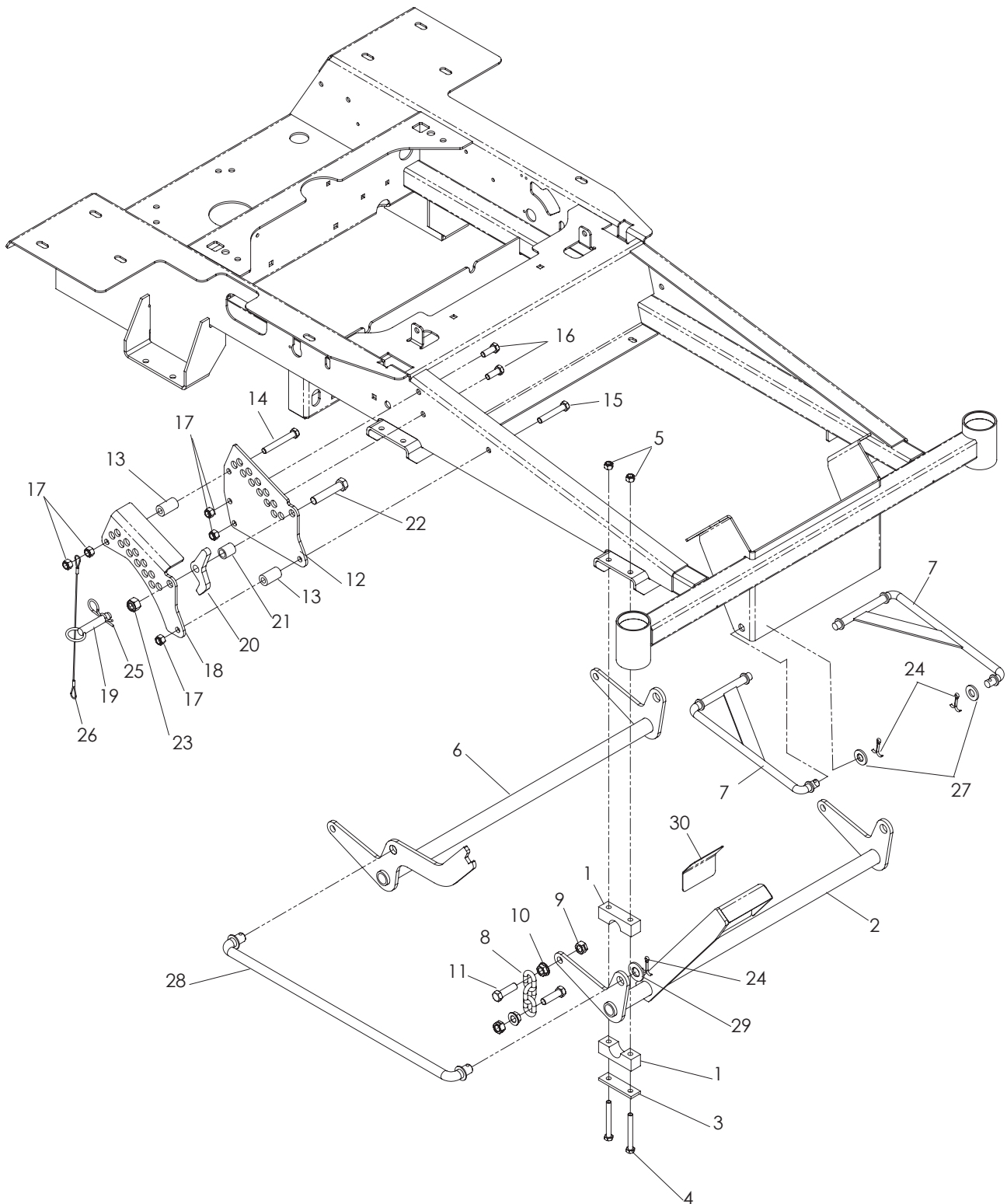


# HYDRAULIC PUMP - MOTOR

---

ITEM	PART NO.	QTY.	DESCRIPTION	ITEM	PART NO.	QTY.	DESCRIPTION
1..	539 101173....8	....	NUT ½-20 LUG	25..	539 112407....1	....	IDLER PULLEY PLATE
2..	539 101721....4	....	HCS 5/16-18 x 2¾	26..	539 112949....2	....	SWIVEL ¼-28
3..	539 101224....2	....	SPRING	27..	539 923515....1	....	SPACER
4..	539 103256....1	....	SPRING EXTENSION	28..	539 976938....4	....	HCS 5/16-18 x 2¼
5..	539 104334....1	....	BELT, PUMP	29..	539 976978....2	....	NUT ¼-20 NYLOC
6..	539 108739....2	....	NUT ¼-28	30..	539 976979....4	....	NUT 3/8-16 NYLOC
7..	539 109800....2	....	RHSNB ¼-20 x 1	31..	539 976988....6	....	PIN, HAIR .073 x 17/16
8..	539 110311....2	....	PULLEY, IDLER	32..	539 990118....2	....	WASHER 3/8
9..	539 110943....4	....	NUT 5/16 NYLOC	33..	539 990188..12	....	WASHER 5/16 SAE
10..	539 101231....1	....	SPINDLE, IDLER	34..	539 990316....4	....	RHSNB 5/16-18 x ¾
11..	539 101331....1	....	NUT ½-13 NYLOC	35..	539 990588....3	....	HCS 3/8-16 x 2
12..	539 101332....1	....	HCS ½-13 x 2¾	36..	539 990613....1	....	NUT 3/8-16 WHIZLK
13..	539 101350....1	....	HCS 3/8-16	37..	539 977250....2	....	SPRING
14..	539 112092....1	....	IDLER ARM	38..	539 990717..14	....	NUT 5/16-18 NYLOC
15..	539 112670....1	....	HEAVY WASHER	39..	539 113466....2	....	OIL FILTER
16..	539 990692....4	....	WASHER 5/16	40..	539 112099....2	....	DRIVE LINKAGE
17..	539 112308....2	....	BRAKE SWIVEL	41..	539 990223....6	....	NUT 5/16-24
18..	539 112309....2	....	BRAKE LINKAGE	42..	539 991073....2	....	NUT 5/16-24 LH
19..	539 112316....1	....	ZT2800, RIGHT	43..	539 110604....2	....	ROD END, LEFT
20..	539 112317....1	....	ZT2800, LEFT	44..	539 110603....2	....	ROD END, RIGHT
21..	539 112318....1	....	EXPANSION TANK W/CAP	45..	539 112669....2	....	HOSE KIT
22..	539 112449....1	....	CAP	46..	539 130516....2	....	TAB, SPRING
23..	539 112319....2	....	BYPASS LINKAGE				
24..	539 112342....1	....	2800 CROSS SUPPORT				

# MOWER LIFT / DECK LIFT

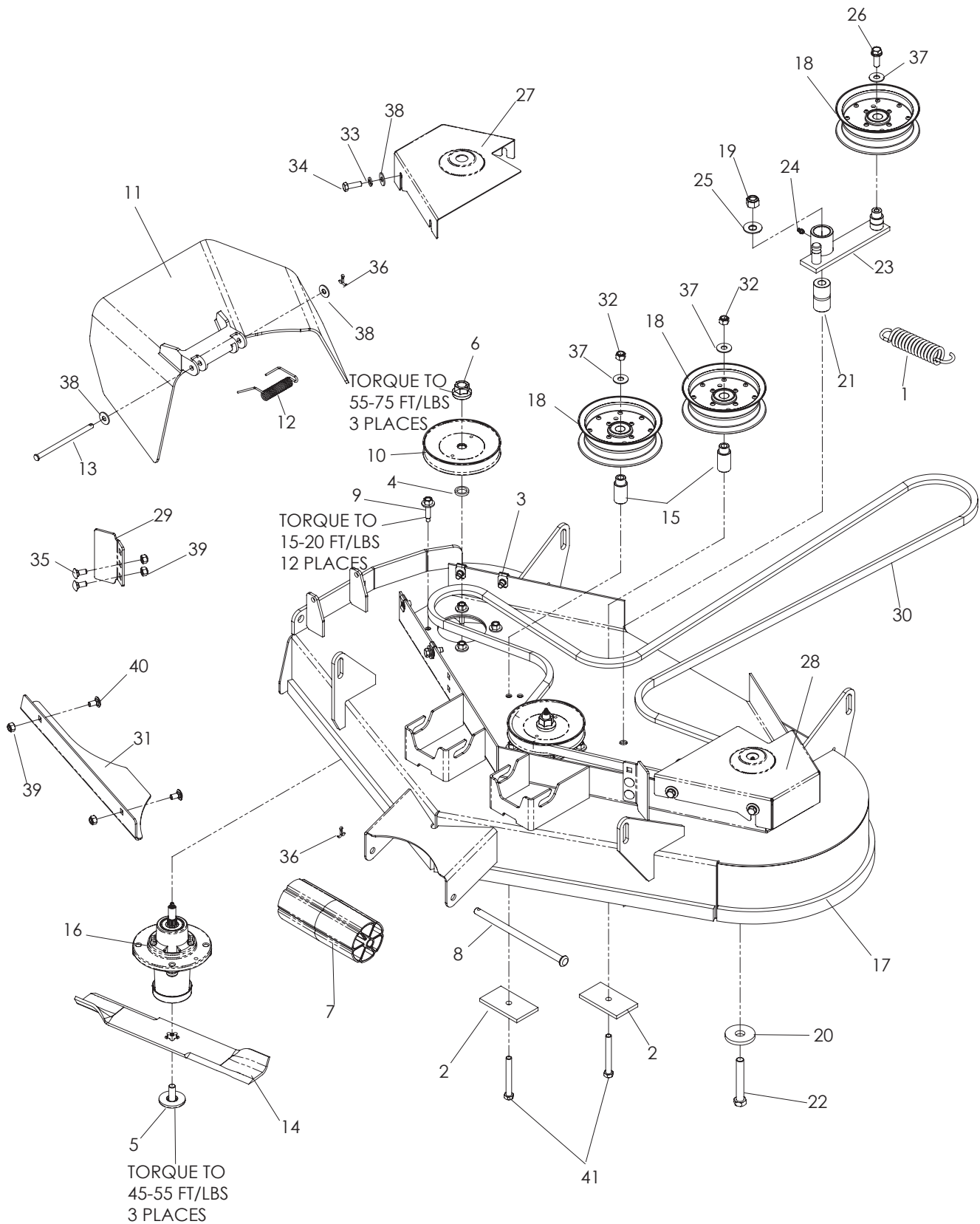


# MOWER LIFT / DECK LIFT

---

ITEM	PART NO.	QTY.	DESCRIPTION	ITEM	PART NO.	QTY.	DESCRIPTION
1..	539 104808....	8	.... PILLOW BLOCK	16..	539 990563....	2	.... HCS $\frac{3}{8}$ -16 x 1
2..	539 112220....	1	.... FRONT LIFT SHAFT	17..	539 976979..	11	.... NUT $\frac{3}{8}$ -16 NYLOC
3..	539 104807....	4	.... REINFORCEMENT BAR	18..	539 112232....	1	.... HEIGHT ADJ PLATE, OUTER
4..	539 101721....	8	.... HCS $\frac{5}{16}$ -18 x $2\frac{3}{4}$	19..	539 102526....	1	.... LIFT PIN
5..	539 990717....	8	.... NUT $\frac{5}{16}$ -18 NYLOC	20..	539 112234....	1	.... PAWL, STOP
6..	539 112224....	1	.... REAR LIFT SHAFT	21..	539 112236....	1	.... SPACER
7..	539 112223....	2	.... STRUT LINKAGE	22..	539 108346....	1	.... HCS $\frac{1}{2}$ -13 x $2\frac{1}{2}$
8..	539 109693....	4	.... LIFT CHAIN, 3 LINKS	23..	539 101331....	1	.... NUT $\frac{1}{2}$ -13 NYLOC
9..	539 990839....	8	.... NUT $\frac{7}{16}$ -14 CENTERLOCK	24..	539 990654....	6	.... COTTER PIN $\frac{5}{32}$ x $1\frac{1}{4}$
10..	539 102582....	8	.... NUT $\frac{7}{16}$ -14 WHIZLK	25..	539 976989....	1	.... HAIRPIN, #4
11..	539 101175....	8	.... HCS $\frac{7}{16}$ -14 x $1\frac{1}{2}$	26..	539 105059....	1	.... LANYARD
12..	539 112230....	1	.... HEIGHT ADJUST PLATE	27..	539 990250....	2	.... WASHER $\frac{1}{2}$ SAE
13..	539 104530....	2	.... SPACER	28..	539 110808....	2	.... DECK LIFT LINK
14..	539 102612....	1	.... HCS $\frac{3}{8}$ -16 x $2\frac{3}{4}$	29..	539 976982....	4	.... WASHER $\frac{5}{8}$ SAE
15..	539 990629....	3	.... HCS $\frac{3}{8}$ -16 x $2\frac{1}{4}$	30..	539 105187....	1	.... ANTI-SKID PAD

# 42 INCH CUTTING DECK

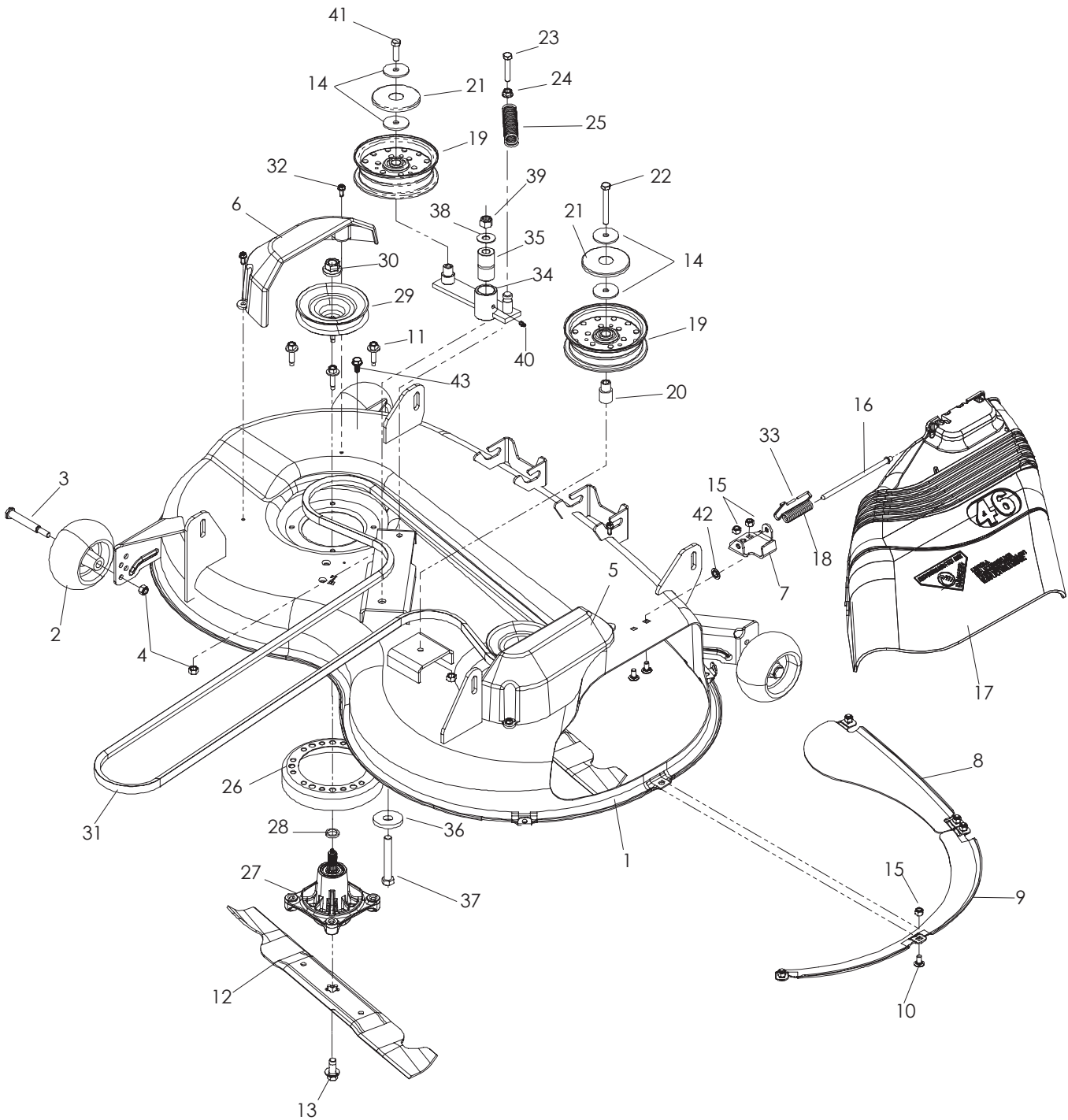


# 42 INCH CUTTING DECK

---

ITEM	PART NO.	QTY.	DESCRIPTION	ITEM	PART NO.	QTY.	DESCRIPTION
1..	539 103256....	1	.... SPRING, EXTENSION	22..	539 103433....	1	.... HCS ½-13 x 3¼
2..	539 103303....	2	.... PAD	23..	539 112198....	1	.... IDLER ARM
3..	539 104763....	8	.... NUT 5/16-18 U TYPE	24..	539 976998....	1	.... ZERK, STRAIGHT ¼-28
4..	539 107520....	3	.... WASHER .675 SPACER	25..	539 990550....	1	.... WASHER 9/16
5..	539 107522....	3	.... BOLT 7/16 SPEC	26..	539 990582....	1	.... HCS 3/8-16 x 1 WHIZLK
6..	539 107590....	3	.... NUT 9/16 CENTERLOCK	27..	539 112238....	1	.... BELTSHIELD, RIGHT
7..	532 176066....	1	.... ROLLER, NOSE	28..	539 112240....	1	.... BELTSHIELD, LEFT
8..	539 107613....	1	.... ROD, ROLLER, NARROW	29..	539 112248....	2	.... DECK STOP
9..	539 107630..	12	.... SCREW 5/16-18 x 1¾ WSH HD	30..	539 112334....	1	.... BELT
10..	539 110315....	3	.... PULLEY, MANDREL	31..	539 112413....	1	.... CONFINEMENT PLATE
11..	539 110731....	1	.... DISCHARGE CHUTE	32..	539 976979....	2	.... NUT 3/8-16 NYLOC
12..	539 110735....	1	.... SPRING, TORSION	33..	539 990187....	8	.... WASHER 5/16
13..	539 110736....	1	.... PIN-CLEVIS 5/16 DIA x 5.19	34..	539 990209....	8	.... HCS 5/16-18 x 1
14..	539 112078....	3	.... BLADE 14.625"	35..	539 990316....	4	.... RHSNB 5/16-18 x ¾
15..	539 112169....	2	.... IDLER BUSHING	36..	539 990365....	2	.... PIN COTTER 1/8 x ¾
16..	539 112170....	3	.... HOUSING ASSEMBLY	37..	539 990517....	3	.... WASHER 3/8
17..	539 112748....	1	.... DECK W/DECALS	38..	539 990692..	10	.... WASHER 5/16
18..	539 132728....	3	.... IDLER PULLEY, NYLON	39..	539 990717....	6	.... NUT 5/16-18 NYLOC
19..	539 101331....	1	.... NUT ½-13 NYLOC	40..	539 990799....	2	.... RHSNB 5/16-18 x 5/8
20..	539 102243....	1	.... WASHER .65 SUPPORT	41..	539 101341....	2	.... HCS 3/8-16 x 3
21..	539 103427....	1	.... BUSHING, PIVOT				

# 46 INCH CUTTING DECK



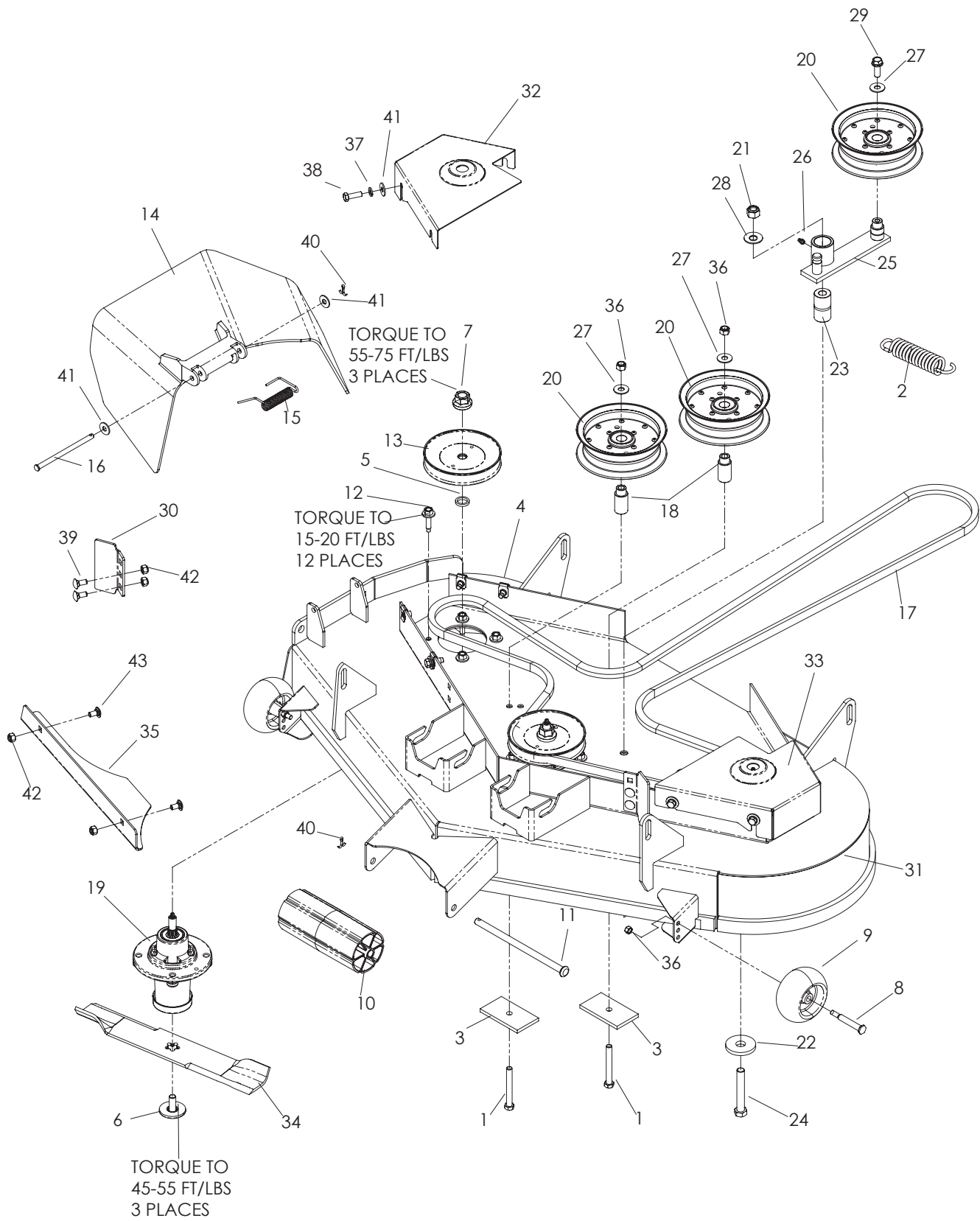


# 46 INCH CUTTING DECK

---

ITEM	PART NO.	QTY.	DESCRIPTION	ITEM	PART NO.	QTY.	DESCRIPTION
1..	539 131487....	1	.... DECK W/DECALS	23..	539 990588....	1	.... HCS $\frac{3}{8}$ -16 x 2
2..	539 107610....	3	.... WHEEL GAUGE	24..	539 990613....	1	.... NUT $\frac{3}{8}$ -16 WHIZLK
3..	539 107608....	3	.... BOLT, SHOULDER	25..	539 101977....	1	.... TRACTION SPRING
4..	539 976979....	5	.... NUT $\frac{3}{8}$ -16 NYLOC	26..	539 107518....	2	.... STRIPPER, ROUND
5..	532 405506....	1	.... SHIELD, BELT, RIGHT	27..	539 107515....	2	.... CUTTER HOUSING
6..	532 405507....	1	.... SHIELD, BELT, LEFT	28..	539 107520....	2	.... WASHER-SPACER
7..	532 192557....	1	.... BRACKET, DEFLECTOR	29..	539 113962....	2	.... PULLEY, DRIVEN
8..	532 403149....	1	.... BAFFLE, FRONT	30..	539 107590....	2	.... NUT $\frac{9}{16}$ TOP CNTRLOCK
9..	532 403150....	1	.... BAFFLE, FRONT, RIGHT	31..	539 113917....	1	.... BELT, DECK
10..	539 990799....	7	.... RHSNB $\frac{5}{16}$ -18 x $\frac{5}{8}$	32..	539 107631....	4	.... SCRW $\frac{1}{4}$ -20 x $\frac{5}{8}$ THDROLL
11..	539 107630....	8	.... SCREW $\frac{5}{16}$ -18 x $1\frac{3}{8}$ WSH HD	33..	539 107627....	1	.... CAP-SLEEVE
12..	777 405380....	2	.... BLADE, 46" HI-LIFT	34..	539 103230....	1	.... IDLER ARM
13..	532 193003....	2	.... BOLT $\frac{7}{16}$ -20 UNF	35..	539 103427....	1	.... PIVOT BUSHING
14..	539 111897....	4	.... WASHER $\frac{3}{8}$ SPECIAL	36..	539 102243....	1	.... SUPPORT WASHER
15..	539 990717....	7	.... NUT $\frac{5}{16}$ -18 NYLOC	37..	539 103433....	1	.... HCS $\frac{1}{2}$ -13 x $3\frac{1}{4}$
16..	539 110462....	1	.... ROD, HINGE	38..	539 990550....	1	.... WASHER $\frac{1}{2}$
17..	532 405357....	1	.... SHIELD, DEFLECTOR	39..	539 101331....	1	.... NUT $\frac{1}{2}$ -13 NYLOC
18..	539 107609....	1	.... SPRING, TORSION	40..	539 976998....	1	.... ZERK
19..	539 103257....	2	.... IDLER PULLEY	41..	539 976941....	1	.... HCS $\frac{3}{8}$ -16 x $1\frac{1}{4}$
20..	539 103295....	1	.... IDLER BUSHING	42..	539 107626....	1	.... PUSHNUT
21..	539 108450....	2	.... TOP DUST CAP	43..	539 133027....	1	.... SCREW $\frac{3}{8}$ -16 x $\frac{3}{4}$ THD CUT
22..	539 106492....	1	.... HCS $\frac{3}{8}$ -16 x $2\frac{3}{4}$				

# 48 INCH CUTTING DECK

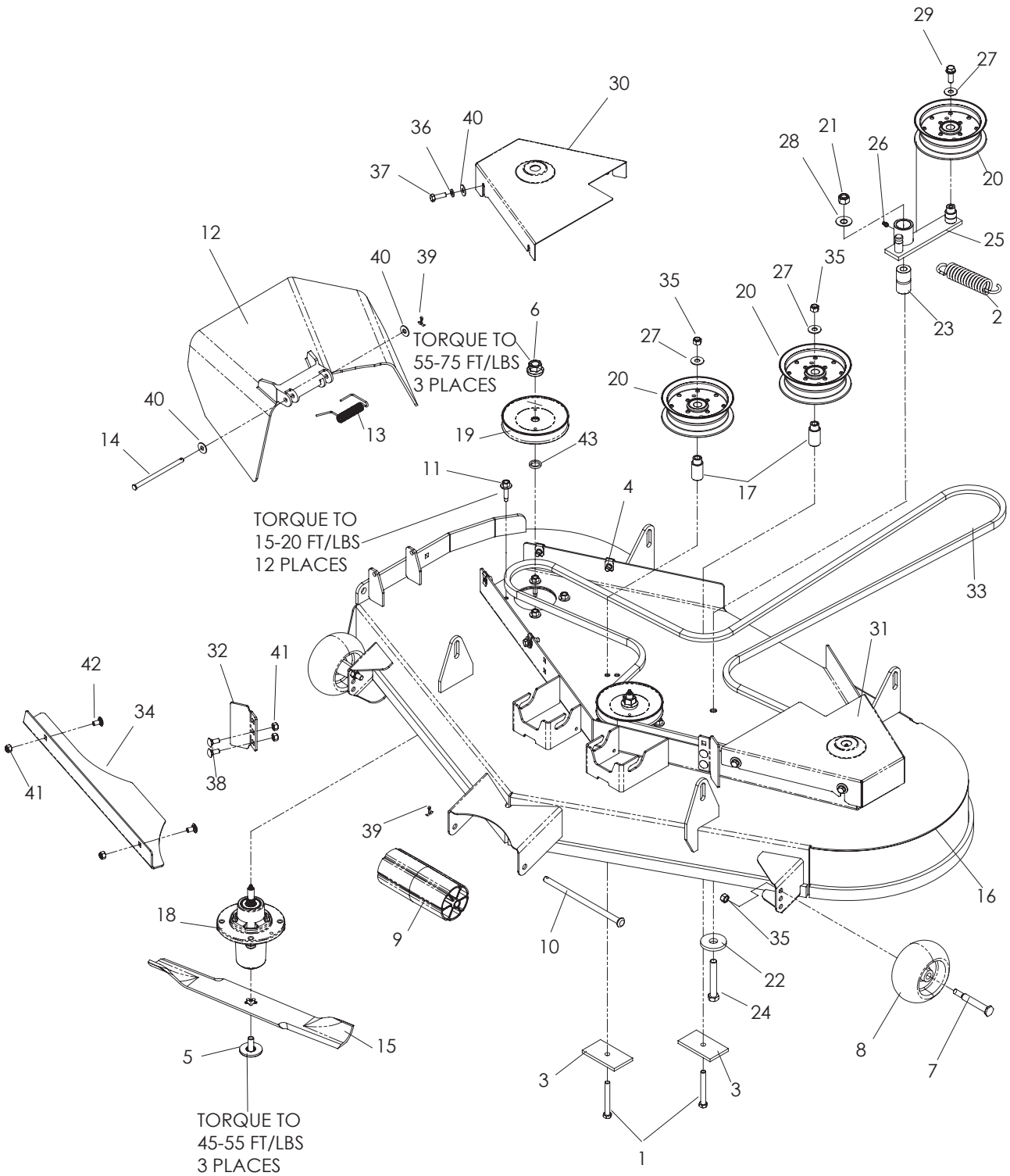


# 48 INCH CUTTING DECK

---

ITEM	PART NO.	QTY.	DESCRIPTION	ITEM	PART NO.	QTY.	DESCRIPTION
1..	539 101341....	2	HCS 3/8-16	23..	539 103427....	1	BUSHING, PIVOT
2..	539 103256....	1	SPRING, EXTENSION	24..	539 103433....	1	HCS 1/2-13 x 3 1/4
3..	539 103303....	2	PAD	25..	539 112198....	1	IDLER ARM
4..	539 104763....	8	NUT 5/16-18 RETAINER-U	26..	539 976998....	1	ZERK, STRAIGHT 1/4-28
5..	539 107520....	3	WASHER .675	27..	539 990517....	2	WASHER 3/8
6..	539 107522....	3	BOLT 7/16	28..	539 990550....	1	WASHER 9/16
7..	539 107590....	3	NUT 9/16 TOP CNTLCK	29..	539 990582....	1	HCS 3/8-16 x 1 WHIZLK
8..	539 107608....	2	BOLT, SHOULDER	30..	539 112248....	2	DECK STOP
9..	539 107610....	2	WHEEL, GAUGE	31..	539 114047....	1	DECK 48" W/DECALS
10..	532 176066....	1	ROLLER, NOSE	32..	539 114051....	1	BELT SHIELD W/DECAL, RT
11..	539 107613....	1	ROD, ROLLER, NARROW	33..	539 114052....	1	BELT SHIELD W/DECAL, LT
12..	539 107630...	12	SCREW 5/16-18 x 1 3/8 WSH HD	34..	539 113425....	3	BLADE 16 1/4"
13..	539 110315....	3	PULLEY, MANDREL	35..	539 113427....	1	CONFINEMENT PLATE
14..	539 110732....	1	DISCHARGE CHUTE	36..	539 976979....	4	NUT 3/8-16 NYLOC
15..	539 110735....	1	SPRING, TORSION	37..	539 990187....	8	WASHER 5/16
16..	539 110736....	1	PIN, CLEVIS 5/16 DIA x 5.19	38..	539 990209....	8	HCS 5/16-18 x 1
17..	539 110832....	1	DECK BELT	39..	539 990316....	4	RHSNB 5/16-18 x 3/4
18..	539 112169....	3	IDLER BUSHING	40..	539 990365....	2	PIN, COTTER 1/8 x 3/4
19..	539 112170....	3	HOUSING ASSEMBLY	41..	539 990692..	10	WASHER 5/16
20..	539 132728....	3	IDLER PULLEY	42..	539 990717....	6	NUT 5/16-18 NYLOC
21..	539 101331....	1	NUT 1/2-13 NYLOC	43..	539 990799....	2	RHSNB 5/16-18 x 5/8
22..	539 102243....	1	WASHER .65				

# 52 INCH CUTTING DECK



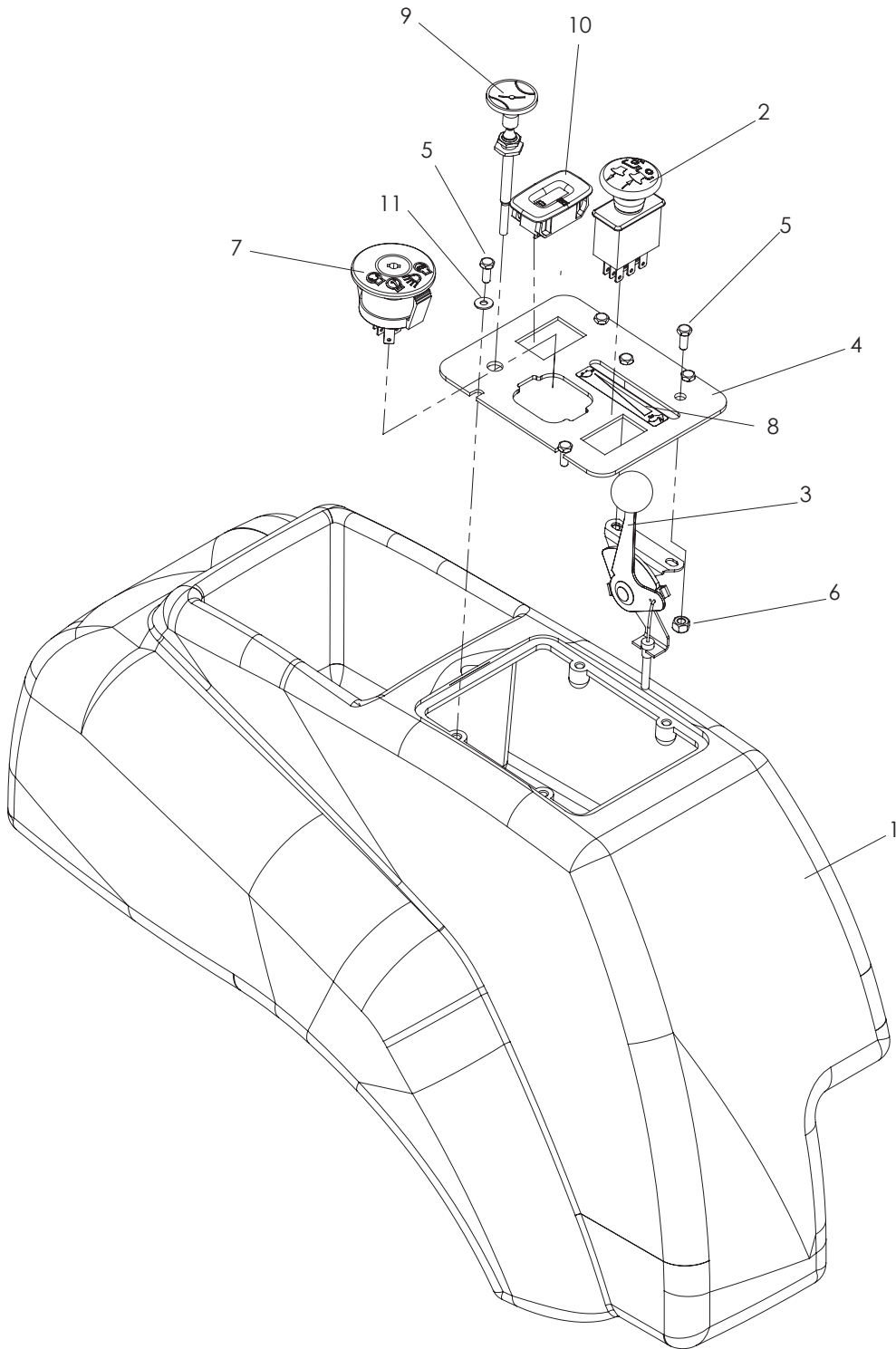
# 52 INCH CUTTING DECK

---

ITEM	PART NO.	QTY.	DESCRIPTION	ITEM	PART NO.	QTY.	DESCRIPTION
1..	539 101341....	2	HCS 3/8-16	23..	539 103427....	1	BUSHING-PIVOT
2..	539 103256....	1	SPRING, EXTENSION	24..	539 103433....	1	HCS 1/2-13 x 3 1/4
3..	539 103303....	2	PAD	25..	539 112198....	1	IDLER ARM
4..	539 104763....	8	NUT 5/16-18 RETAINER-U	26..	539 976998....	1	ZERK, STRAIGHT 1/4-28
5..	539 107522....	3	BOLT 7/16 SPEC	27..	539 990517....	3	WASHER 3/8
6..	539 107590....	3	NUT 9/16 CENTERLOCK	28..	539 990550....	1	WASHER 1/2
7..	539 107608....	2	BOLT, SHOULDER	29..	539 990582....	1	HCS 3/8-16 x 1 WHIZLK
8..	539 107610....	2	WHEEL, GAUGE	30..	539 112242....	1	BELT SHIELD, RIGHT
9..	532 176066....	1	ROLLER, NOSE	31..	539 112244....	1	BELT SHIELD, LEFT
10..	539 107613....	1	ROD, ROLLER, NARROW	32..	539 112248....	2	DECK STOP
11..	539 107630..	12	SCREW 5/16-18 x 1 3/8 WSH HD	33..	539 112335....	1	BELT
12..	539 110733....	1	DISCHARGE CHUTE	34..	539 112417....	1	CONFINEMENT PLATE
13..	539 110735....	1	SPRING, TORSION	35..	539 976979....	4	NUT 3/8-16 NYLOC
14..	539 110736....	1	PIN-CLEVIS 5/16 DIA x 5.19	36..	539 990187....	8	WASHER 5/16
15..	539 112079....	3	BLADE 18"	37..	539 990209....	8	HCS 5/16-18 x 1
16..	539 112749....	1	DECK W/DECALS	38..	539 990316....	4	RHSNB 5/16-18 x 3/4
17..	539 112169....	2	IDLER BUSHING	39..	539 990365....	2	PIN COTTER 1/8 x 3/4
18..	539 112170....	3	HOUSING	40..	539 990692..	10	WASHER 5/16
19..	539 112171....	3	PULLEY	41..	539 990717....	4	NUT 5/16-18 NYLOC
20..	539 132728....	3	IDLER PULLEY, NYLON	42..	539 990799....	2	RHSNB 5/16-18 x 5/8
21..	539 101331....	1	NUT 1/2-13 NYLOC	43..	539 107520....	3	WASHER .675 SPACER
22..	539 102243....	1	WASHER .65, SUPPORT				

# CONTROLS

---



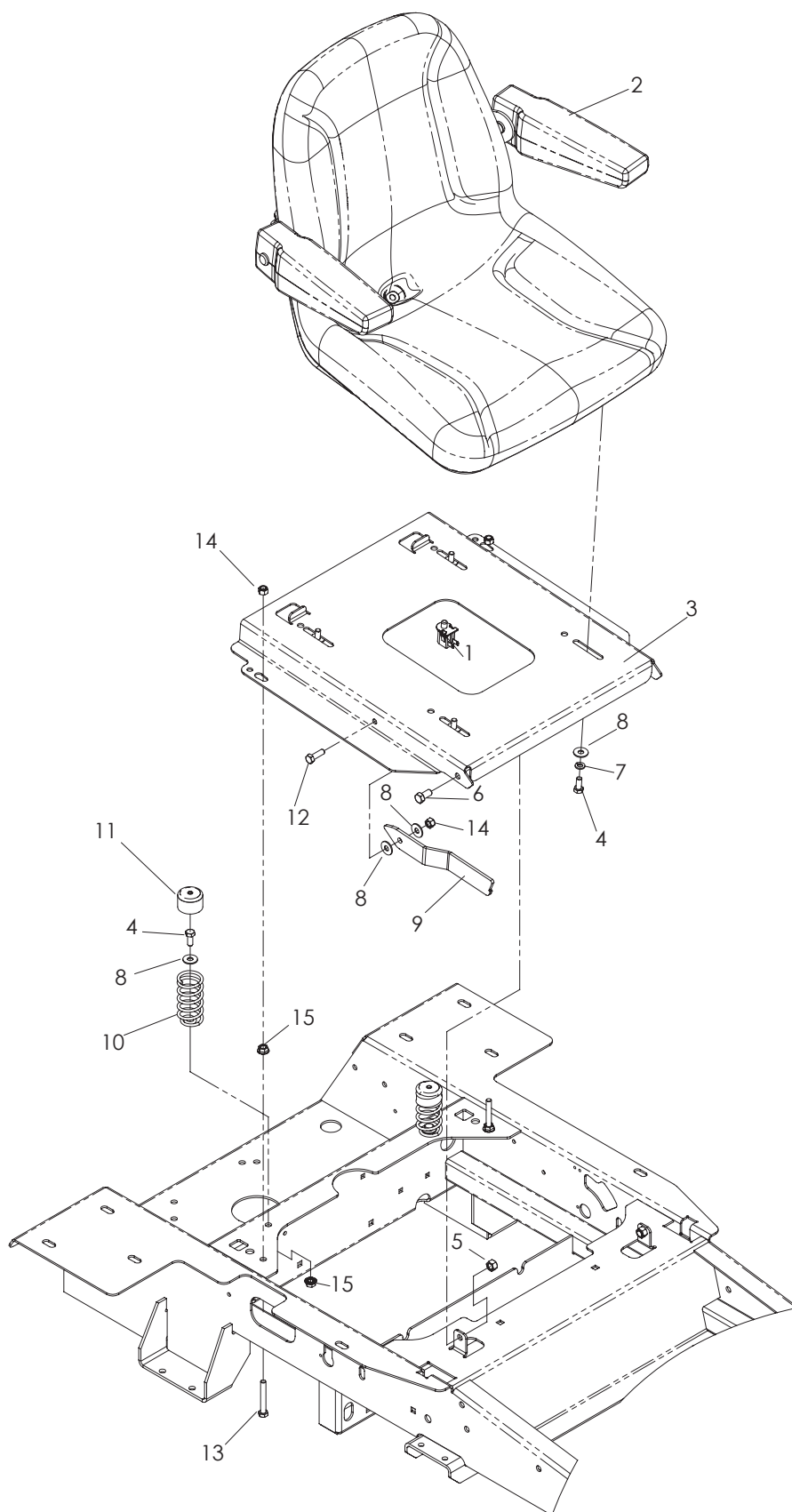
# CONTROLS

---

ITEM	PART NO.	QTY.	DESCRIPTION
1..	539 107593....	1 ....	CONSOLE
2..	539 101768....	1 ....	CLUTCH SWITCH
3..	539 112438....	1 ....	THROTTLE CABLE
4..	539 109858....	1 ....	CONSOLE PLATE
5..	539 990411....	6 ....	HCS #10-24 x ½
6..	539 976977....	2 ....	NUT #10-24 NYLOC

ITEM	PART NO.	QTY.	DESCRIPTION
7..	539 107541....	1 ....	IGNITION SWITCH
8..	539 109838....	1 ....	DECAL, THROTTLE
9..	539 130209....	1 ....	CHOKE CONTROL
10..	539 110074....	1 ....	HOUR METER
11..	539 105408....	4 ....	WASHER #10

# SEAT





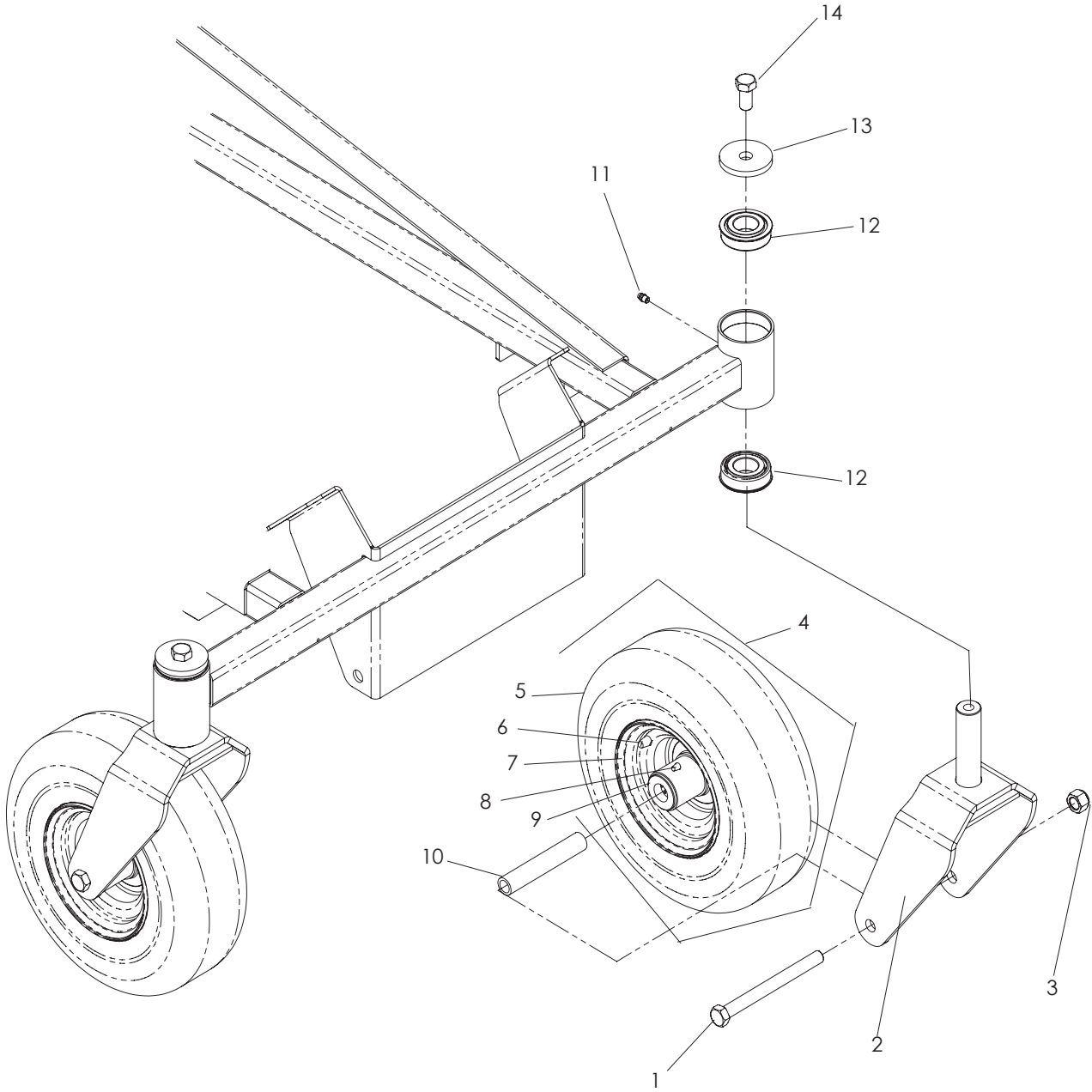
# SEAT

---

ITEM	PART NO.	QTY.	DESCRIPTION
1..	539 119741....	1 ....	SEAT SWITCH
2..	539 108744....	1 ....	SEAT W/ARMREST
3..	539 131849....	1 ....	PAN, SEAT
4..	539 976934....	6 ....	HCS $\frac{5}{16}$ -18 x $\frac{3}{4}$
5..	539 976979....	2 ....	NUT $\frac{3}{8}$ -16 NYLOC
6..	539 990134....	2 ....	HCS $\frac{3}{8}$ -16 x $\frac{3}{4}$
7..	539 990187....	4 ....	LOCKWASHER $\frac{5}{16}$
8..	539 990692....	8 ....	WASHER $\frac{5}{16}$

ITEM	PART NO.	QTY.	DESCRIPTION
9..	539 114631....	1 ....	ARM, PROP, SEAT
10..	539 122632....	2 ....	SEAT SPRING
11..	539 119884....	2 ....	SPRING CAP
12..	539 990209....	1 ....	HCS $\frac{5}{16}$ -18 x 1
13..	539 991055....	2 ....	HCS $\frac{5}{16}$ -18 x $2\frac{1}{4}$ TAP
14..	539 990717....	3 ....	NUT $\frac{5}{16}$ -18 NYLOC
15..	539 990585....	4 ....	NUT $\frac{5}{16}$ -18 WHIZLK

# CASTERS



# CASTERS

---

ITEM	PART NO.	QTY.	DESCRIPTION
------	----------	------	-------------

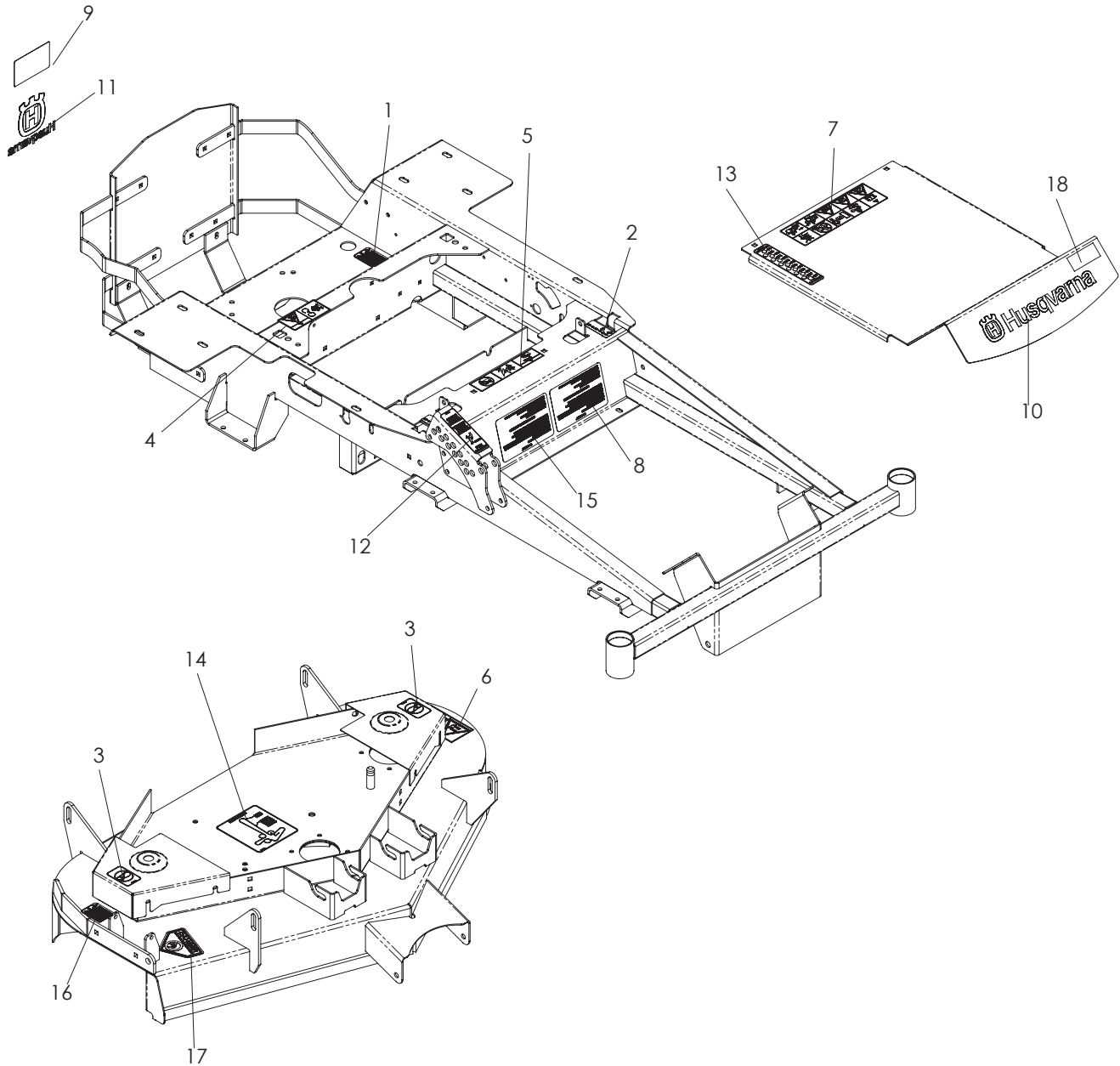
1..	539 101907....	1	HCS ½-13 x 5½
2..	539 113444....	1	CASTER YOKE
3..	539 101331....	1	NUT ½-13 NYLOC
4..	539 106993....	1	CASTER TIRE, COMPLETE
5..	539 106995....	1	TIRE, 4 PLY, 410/350-5
6..	539 912234....	1	VALVE STEM
7..	539 106994....	1	RIM
8..	539 103300....	1	ZERK

ITEM	PART NO.	QTY.	DESCRIPTION
------	----------	------	-------------

9..	539 102484....	2	BEARING, FLANGED
10..	539 105543....	1	SPACER
11..	539 101474....	2	ZERK
12..	539 112660....	4	BEARING, FLANGED
13..	539 112670....	2	HEAVY WASHER
14..	539 990646....	2	HCS ½-13 x 1
NOT SHOWN			
	539 105307 ...	1	ROLLER BEARING, 3¼

# DECALS

MODELS: 968999658, 96899692, 968999696,  
968999699, 968999754, 968999766



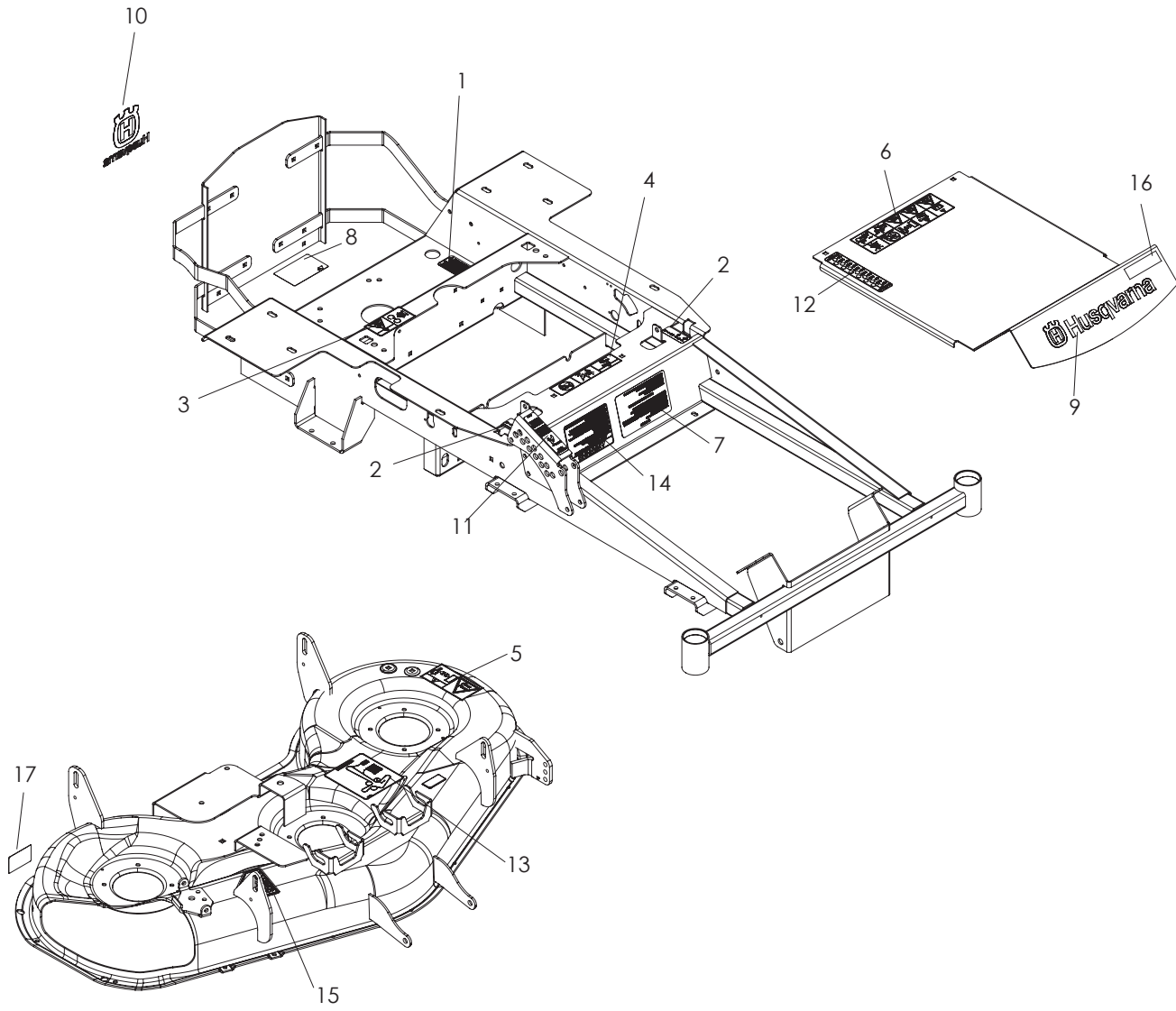
# DECALS

---

ITEM	PART NO.	QTY.	DESCRIPTION	ITEM	PART NO.	QTY.	DESCRIPTION
1..	539 101881....	1 ....	DECAL, PROP 65	13..	539 112785....	1 ....	DECAL, HEIGHT ADJUST
2..	539 103333....	2 ....	DECAL, MOTION CONTROL	14..	539 113442....	1 ....	DECAL, BELT ROUTING
3..	539 105743....	2 ....	DECAL, NO STEP	15..	539 113213....	1 ....	DECAL, WARNING
4..	539 105744....	1 ....	DECAL, DANGER BELT	16..	539 113224....	1 ....	DECAL, CAUTION
5..	539 105745....	1 ....	DECAL, BATTERY WARNING	17..	539 913010....	1 ....	DECAL, WARNING
6..	539 105746....	1 ....	DECAL, SEVERING	18..	539 131321....	1 ....	DECAL, EZ4220
7..	539 107959....	1 ....	DECAL, WARNING		539 131322 ...	1 ....	DECAL, EZ4822
8..	539 108179....	1 ....	DECAL, START		539 131323 ...	1 ....	DECAL, EZ5224
9..	539 108385....	1 ....	DECAL, DO NOT TOW		539 131324 ...	1 ....	DECAL, EZ5226
10..	539 111047 ....	1 ....	DECAL, HUSQVARNA				
11..	539 111055 ....	1 ....	DECAL, CROWN				
12..	539 112657 ....	1 ....	DECAL, TRNSPRT RELEASE				

# DECALS

MODEL 968999657



# DECALS

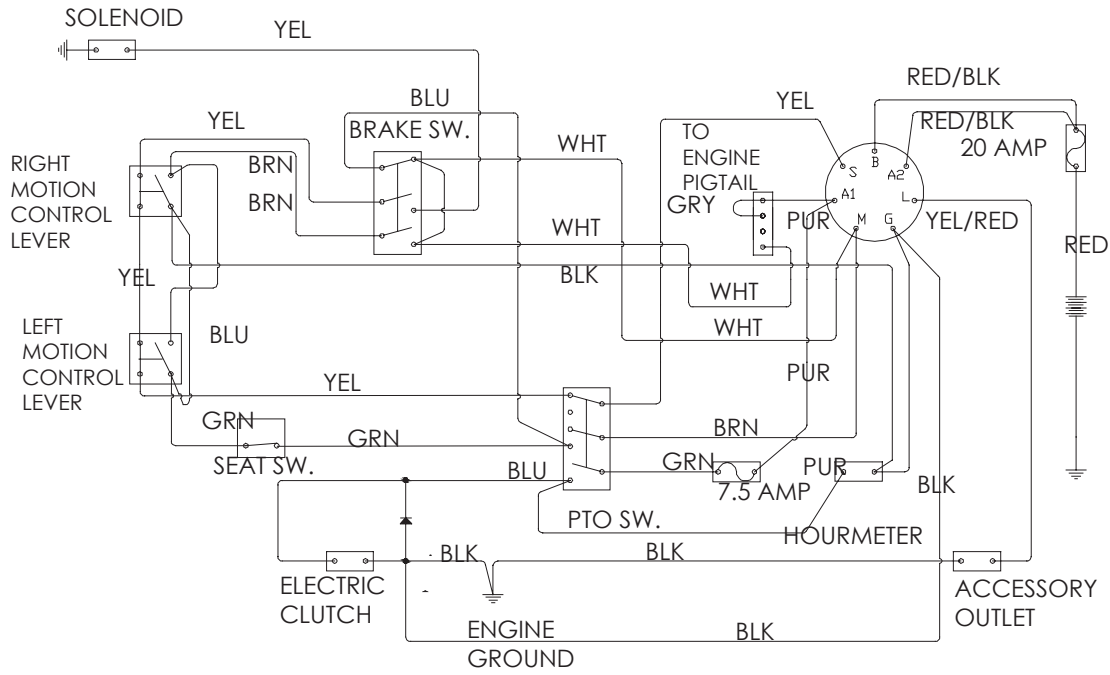
---

MODEL 968999657

ITEM	PART NO.	QTY.	DESCRIPTION	ITEM	PART NO.	QTY.	DESCRIPTION
1..	539 101881....	1 ....	DECAL, PROP 65	10..	539 111055 ....	1 ....	DECAL, CROWN
2..	539 103333....	2 ....	DECAL, MOTION CONTROL	11..	539 112657 ....	1 ....	DECAL, TRANSPORT REL
3..	539 105744....	1 ....	DECAL, EURO DNGR BELT	12..	539 112785 ....	1 ....	DECAL, HEIGHT ADJUST
4..	539 105745....	1 ....	DECAL, EURO BATT WARN	13..	539 131489 ....	1 ....	DECAL, BELT ROUTING,
5..	539 105746....	1 ....	DECAL, EURO SEVERING	14..	539 113213 ....	1 ....	DECAL, WARNING
6..	539 107959....	1 ....	DECAL, WARNING	15..	539 913010 ....	1 ....	DECAL, WARNING
7..	539 108179....	1 ....	DECAL, START	16..	539 131287 ....	1 ....	DECAL, EZ4624
8..	539 108385....	1 ....	DECAL, DO NOT TOW	17..	539 113224 ....	1 ....	DECAL, WARNING
9..	539 111047 ....	1 ....	DECAL, HUSQVARNA				

# SCHEMATIC

- NOTE: 1. SEAT UNOCCUPIED  
 2. BRAKE SWITCH IN OFF POSITION  
 3. MOTION CONTROL LEVERS OUT  
 4. PTO IN OFF POSITION



## KEY SWITCH POSITIONS

